

DERKALIBER KRAFT

BRASS BALL VALVES DN 15-50, PN 25 TECHNICAL PASSPORT



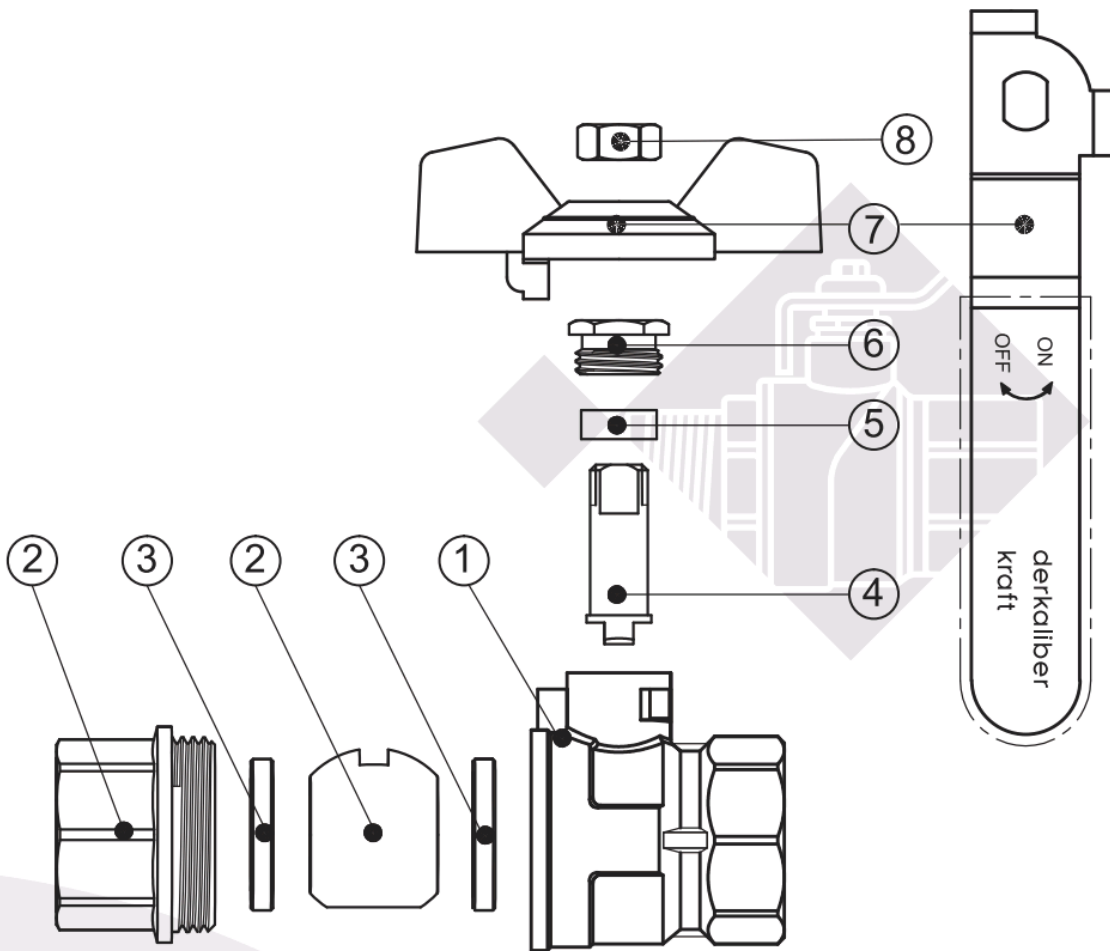
1. Purpose and application:

Ball valves are intended to be installed as shut-off valves in hot water supply systems, cold water supply systems, including utility and drinking water supply and heating, as well as compressed air, liquid hydrocarbons, technological pipelines that transport liquids not aggressive to ball valve materials. Not allowed to use the ball valves as regulating units.

2. Specification:

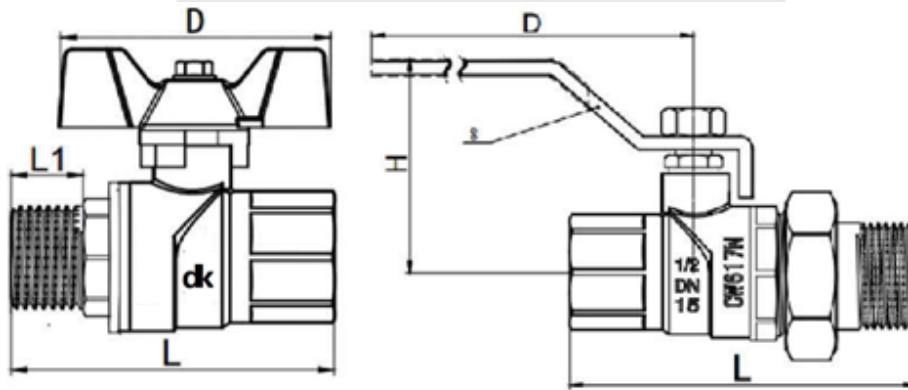
<u>Characteristics</u>	<u>Data</u>
Class of tightness	«A»
Nominal pressure, PN	25 bar
Nominal Diameters, DN	½ - 2
Working temperature	-20...+150°C
Ambient temperature	-20...+40°C
Average resource, cycles	25000
Average resource, years	25
Number of threads	5
Repairable gasket seal	Positive

3. Components and materials:



Nº	Components	Material
1,2	Valves body	Brass CW617N is nickel plated
3	Brass ball	Brass CW617N chrome plated
4	Saddle rings	Teflon PTFE
5	Gland stem	Brass CW617N
6	Sealant sealer	Teflon PTFE
7	Gasket seal	Brass CW617N
8	Handle	Steel Galvanized with PVC Coating / Silumin with Epoxy Coating
9	Screw	Steel

4. Dimensions:



DERKALIBER KRAFT Brass Ball Valve F-F, Steel Long Handle

DN	Art.	L, mm	H, mm	D, mm	Weight, g
15	DK.101.15	46,5	50	95	148
20	DK.101.20	51,5	54	95	197
25	DK.101.25	59,5	57	105	317
32	DK.101.32	74,5	62	105	460
40	DK.101.40	84,5	76,5	130	800
50	DK.101.50	96	84	130	1115

DERKALIBER KRAFT Brass Ball Valve F-F, Butterfly Handle

DN	Art.	L, mm	H, mm	D, mm	Weight, g
15	DK.103.15	46,5	40,6	56	124
20	DK.103.20	51,5	45,1	56	174
25	DK.103.25	59,5	51	66	270

DERKALIBER KRAFT Brass Ball Valve F-M, Steel Long Handle

DN	Art.	L, mm	H, mm	D, mm	Weight, g
15	DK.102.15	53,5	50	95	158
20	DK.102.20	58	54	95	210
25	DK.102.25	68	57	105	334
32	DK.102.32	85,5	70	105	495
40	DK.102.40	96	76,5	130	855
50	DK.102.50	108	84	130	1220

DERKALIBER KRAFT Brass Ball Valve F-M, Butterfly Handle

DN	Art.	L, mm	H, mm	D, mm	Weight, g
15	DK.104.15	53,2	40,6	56	135
20	DK.104.20	58	45,1	56	190
25	DK.104.25	67,5	51	66	290

DERKALIBER KRAFT Brass Ball Valve M-M, Butterfly Handle

DN	Art.	L, mm	H, mm	D, mm	Weight, g
15	DK.105.15	56,5	40,6	56	132

DERKALIBER KRAFT Brass Ball Valve with Union, Butterfly Handle

DN	Art.	L, mm	H, mm	D, mm	Weight, g
15	DK.106.15	77	40,6	56	197
20	DK.106.20	85	40,5	56	285
25	DK.106.25	98	45	66	490

DERKALIBER KRAFT Brass Ball Valve with Union, Steel Long Handle

DN	Art.	L, mm	H, mm	D, mm	Weight, g
32	DK.107.32	117	62	105	765

5. Dependence of maximum working pressure on the working temperature:

