

DERKALIBER GRAND

FULL BORE BRASS BALL VALVES

DN 15-50, PN 40

TECHNICAL PASSPORT



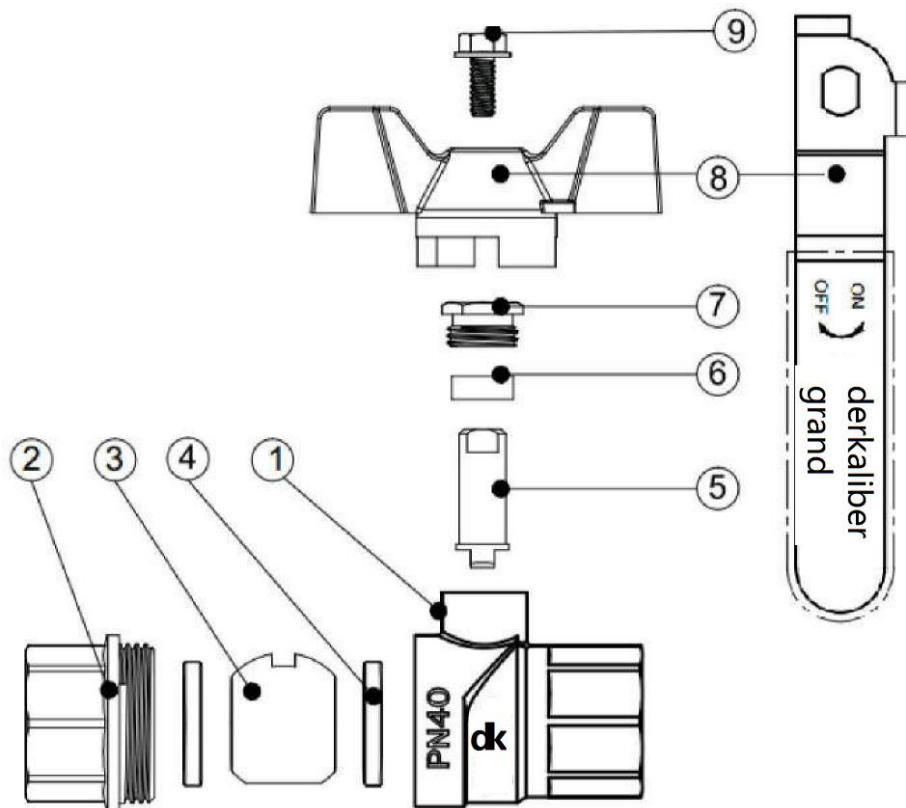
1. Purpose and application:

Ball valves are intended to be installed as shut-off valves in hot water supply systems, cold water supply systems, including utility and drinking water supply and heating, as well as compressed air, liquid hydrocarbons, technological pipelines that transport liquids not aggressive to ball valve materials. Not allowed to use the ball valves as regulating units.

2. Specification:

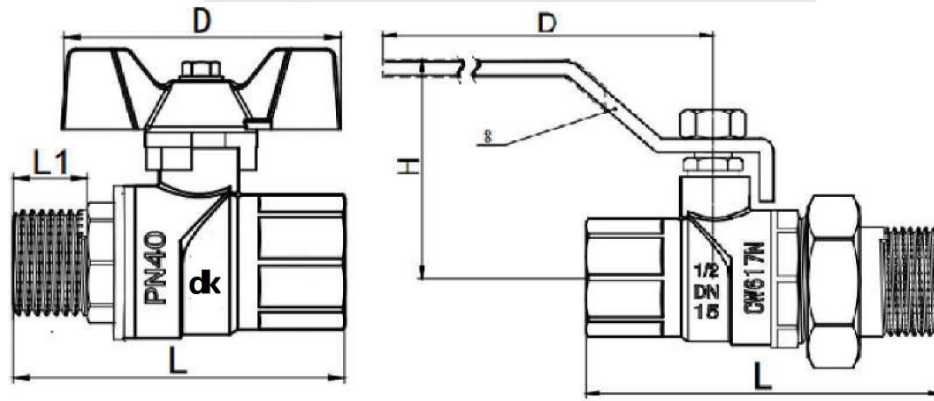
<u>Characteristics</u>	<u>Data</u>
Class of tightness	«A»
Nominal pressure, PN	40 bar
Nominal Diameters, DN	½ - 2
Working temperature	-20...+150°C
Ambient temperature	-20...+40°C
Average resource, cycles	25000
Average resource, years	25
Number of threads	7
Repairable gasket seal	Positive

3. Components and materials:



Nº	Components	Material
1,2	Valves body	Brass CW617N nickel plated
3	Brass ball	Brass CW617N chrome plated
4	Saddle rings	Teflon PTFE
5	Gland stem	Brass CW617N
6	Sealant sealer	Teflon PTFE
7	Gasket seal	Brass CW617N
8	Handle	Steel Galvanized with PVC Coating / Silumin with Epoxy Coating
9	Screw	Steel

4. Dimensions:



DERKALIBER GRAND Full Bore Brass Ball Valve F-F, Steel Long Handle

DN	Art.	L, mm	H, mm	D, mm	Weight, g
15	DG.101.15	56	52,5	93	187
20	DG.101.20	71,5	55	107	296
25	DG.101.25	81	63	109	491
32	DG.101.32	98,5	71	144,5	750
40	DG.101.40	106	84	165	1040
50	DG.101.50	125	93	165	1500

DERKALIBER GRAND Full Bore Brass Ball Valve F-F, Butterfly Handle

DN	Art.	L, mm	H, mm	D, mm	Weight, g
15	DG.103.15	56	52,5	59,7	168
20	DG.103.20	71,5	55	72,5	274

DERKALIBER GRAND Full Bore Brass Ball Valve F-M, Steel Long Handle

DN	Art.	L, mm	H, mm	D, mm	Weight, g
15	DG.102.15	61	52,5	93	188
20	DG.102.20	75,5	55	107	300
25	DG.102.25	87	63	109	503
32	DG.102.32	106	71	144,5	775
40	DG.102.40	116	84	165	1085
50	DG.102.50	135,5	93	165	1550

DERKALIBER GRAND Full Bore Brass Ball Valve F-M, Butterfly Handle

DN	Art.	L, mm	H, mm	D, mm	Weight, g
15	DG.104.15	61	52,5	59,7	169
20	DG.104.20	75,5	55	72,5	278
25	DG.104.25	87	63	72,5	440

DERKALIBER GRAND Full Bore Brass Ball Valve M-M, Butterfly Handle

DN	Art.	L, mm	H, mm	D, mm	Weight, g
15	DG.105.15	60	52,5	59,7	158

DERKALIBER GRAND Full Bore Brass Ball Valve with Union, Butterfly Handle

DN	Art.	L, mm	H, mm	D, mm	Weight, g
15	DG.106.15	82,5	52,5	59,7	233
20	DG.106.20	93	55	72,5	363
25	DG.106.25	110	63	72,5	610

DERKALIBER GRAND Full Bore Brass Ball Valve with Union, Steel Long Handle

DN	Art.	L, mm	H, mm	D, mm	Weight, g
32	DG.107.32	130	71	165	990

4. Dependence of maximum working pressure on the working temperature:

